

SIP/DH Series

- ❖ Ultra miniature size industry standard footprint (SH series)
- ❖ Miniature size Industry standard package (DG series)
- ❖ Optional shielding and diodes (DG, SH series)
- ❖ UL models available

勝特力材料 886-3-5753170
 勝特力电子(上海) 86-21-54151736
 勝特力电子(深圳) 86-755-83298787
[Http://www.100y.com.tw](http://www.100y.com.tw)



❖ Coil Ratings

Part Number	Nominal Voltage (VDC)	Coil Resistance (ohms) $\pm 10\%$	Operate Voltage (VDC) max.	Release Voltage (VDC) min.	Schematics
DG1A**BW(D)	5 12 24	500 850 2200	3.8 9.0 18.0	0.5 1.0 2.0	
DG1B**BW(D)	5 12 24	500 500 1750	3.8 9.0 18.0	0.5 1.0 2.0	
DG1A**NW(D) Mercury	5 12 24	90 360 1440	3.8 9.0 18.0	0.5 1.0 2.0	
DG1A**DW(D) Mercury	5 12 24	160 500 1440	3.8 9.0 18.0	0.5 1.0 2.0	
SH1A**BW(D)	5 12 24	500 1000 1400	3.8 9.0 18.0	0.5 1.0 2.0	

TAMB. = +20°C
 (E.S.S.) : Electrostatic Shield

❖ Contact Ratings

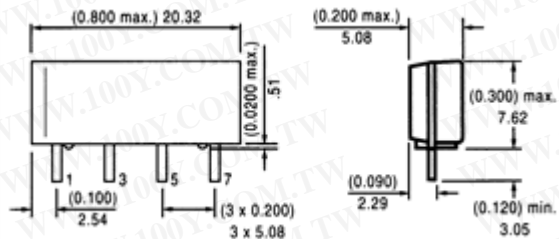
Parameters	DG1A**BW	DG1B**BW	SH1A**BW(D)	DG1A**NW DG1A**DW Mercury
	Power (W) max.		10	
Voltage (VDC) max.		200		500
Switching Current (A) max.		0.5		2.0
Carry Current (A) max.		1.0		2.0
Contact Resistance (ohms) max. (initial)	0.15	0.20	0.15	0.1
Breakdown Voltage (VDC) min.	Open Contact	250		1000
	Contact to Coil	1500		1500
Insulation Resistance (ohms) min.	Open Contact	10 ¹⁰		10 ⁹ (NW) 10 ¹⁰ (DW)

	Contact to Coil	10^{10}	10^{10}
Operate Time (mS) max (incl. bounce)		1.0	1.0 (NW) 2.0 (DW)
Release Time (mS) max.		0.5	1.0 (NW) 2.0 (DW)
Electrical Life	Low Level	10^8 (10mVDC, 10 μ A)	10^9 (10VDC, 4mA)
	Rated Load	6 X 10^5 (20VDC, 0.5A)	10^6 (20VDC, 0.5A) 10^5 (50VDC, 1.0A)

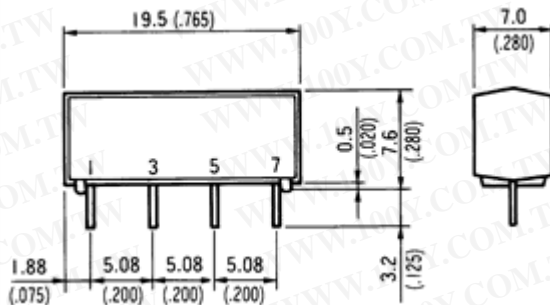
(resistive loads)

Dimensions

SH Series



DG Series



勝特力材料 886-3-5753170
 勝特力电子(上海) 86-21-54151736
 勝特力电子(深圳) 86-755-83298787
[Http://www.100y.com.tw](http://www.100y.com.tw)